

SAC-5P-5,0-PUR/AD-2L

Order No.: 1693500



Sensor/actuator cable, 5-pos., PUR/PVC black, free conductor end on valve connector type A, for pressure switch, with two LEDs, without protective circuit, cable length: 5 m

Commercial data	
EAN	4017918173357
Pack	1 Pcs.
Customs tariff	85444290
Weight/Piece	0.4176 KG
Catalog page information	Page 90 (PC-2007)

Product notes

WEEE/RoHS-compliant since:
07/27/2006



Technical data	
General data	
Nominal current I_N	4 A
Nominal voltage U_N	24 V
Number of positions	5
Volume resistance	$\leq 5 \text{ m}\Omega$

Insulation resistance	≥ 100 MΩ
Length of cable	5 m
Ambient temperature (operation)	-20 °C ... 85 °C (valve plug)
	-30 °C ... 80 °C (cable, fixed installation)
	-5 °C ... 70 °C (cable, flexible installation)

General characteristics

Coding	A - standard
Inflammability class acc. to UL 94	HB
Surge voltage category	II
Pollution degree	3
Degree of protection	IP67
Contact material	CuSn
Contact surface material	Ag
Contact carrier material	PBT
Contact material	CuSn
Contact surface material	Ag
Valve plug contact insert material	PBT
Sealing material	TPU
Status display	2 LEDs

Conductor data

Cable type	PUR halogen-free black
Conductor cross section	0.75 mm ²
AWG signal line	18
Conductor structure, signal line	24x 0.20 mm
External cable diameter	7.00 mm
Wire colors	Black 1, black 2, black 3, black 4, green/yellow
External sheath, color	Black RAL 9005

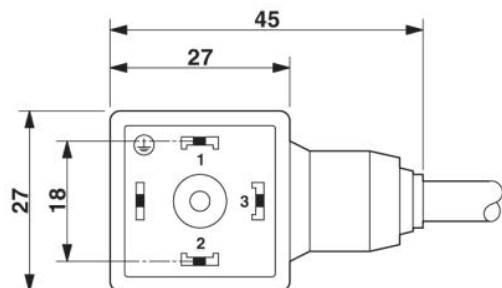
Certificates / Approvals

Certification

GOST

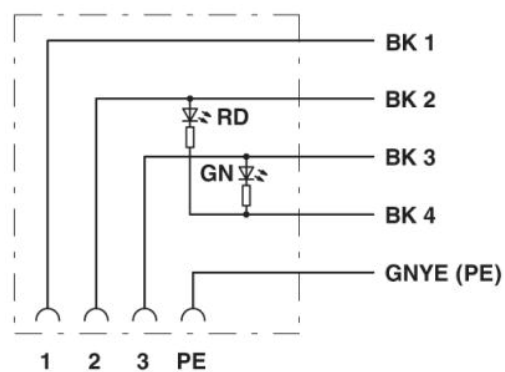
Drawings

Dimensioned drawing



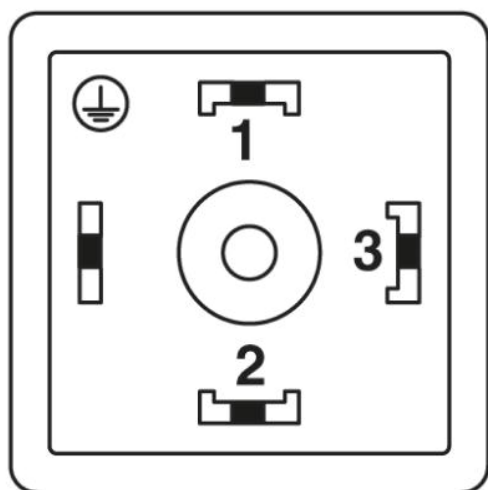
Valve plug type AD

Circuit diagram



Contact assignment of valve connector

Schematic diagram



Valve plug connector pin assignment, type AD